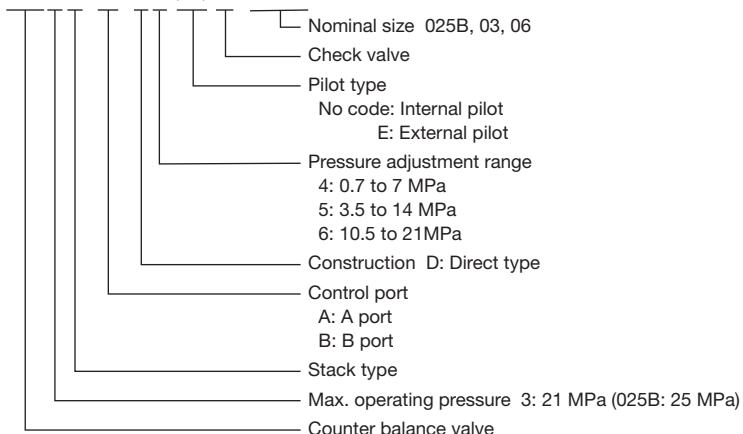


■ Description of the model designation

HB3H-A-D4(E) K-025B

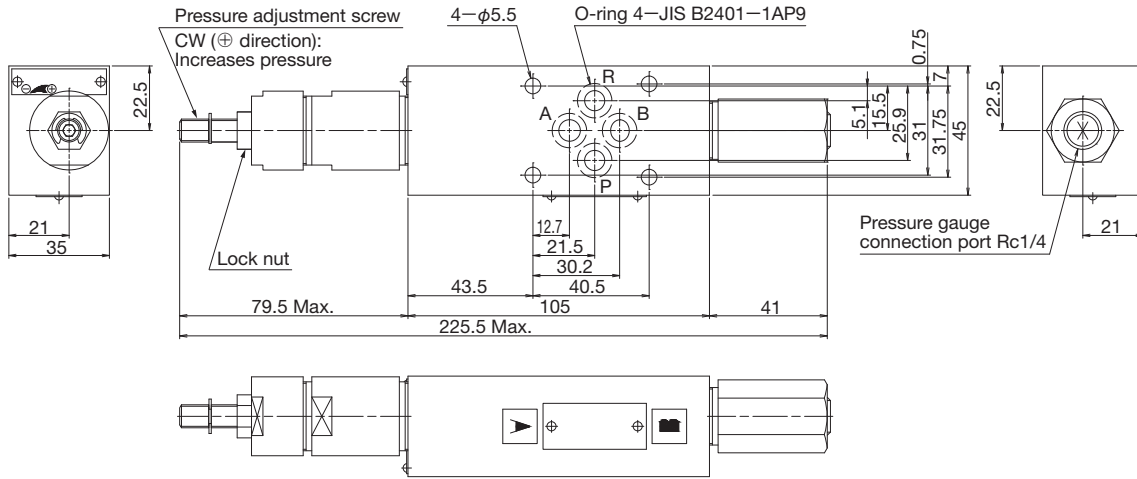


■ Specifications

Control port	Pilot type	Model	Max. operating pressure (MPa)	Rated flow rate (L/min)	Max. flow rate (L/min)	Symbol	Pressure adjustment range Check valve cracking pressure (MPa)
A	Internal pilot	HB3H-A-D*K-025B	25	20	40		Pressure adjustment range * Symbol Size 025 4: 0.7 to 7 5: 3.5 to 14 Size 03 / 06 * Symbol 4: 0.7 to 7 5: 3.5 to 14 6: 10.5 to 21 Check valve cracking pressure 0.04
		HB3H-A-D*K-03		40	80		
		HB3H-A-D*K-06		120	190		
	External pilot	HB3H-A-D*EK-025B	21	20	40		
		HB3H-A-D*EK-03		40	80		
		HB3H-A-D*EK-06		120	190		
B	Internal pilot	HB3H-B-D*K-025B	25	20	40		
		HB3H-B-D*K-03		40	80		
		HB3H-B-D*K-06		120	190		
	External pilot	HB3H-B-D*EK-025B	21	20	40		
		HB3H-B-D*EK-03		40	80		
		HB3H-B-D*EK-06		120	190		

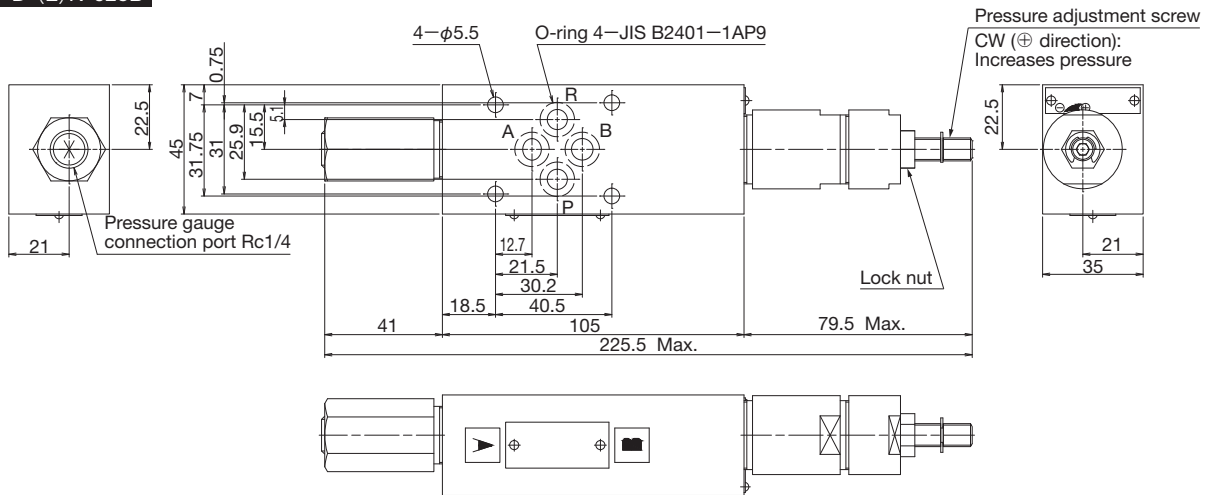
Outside dimensions

HB3H-A-D\* (E) K-025B



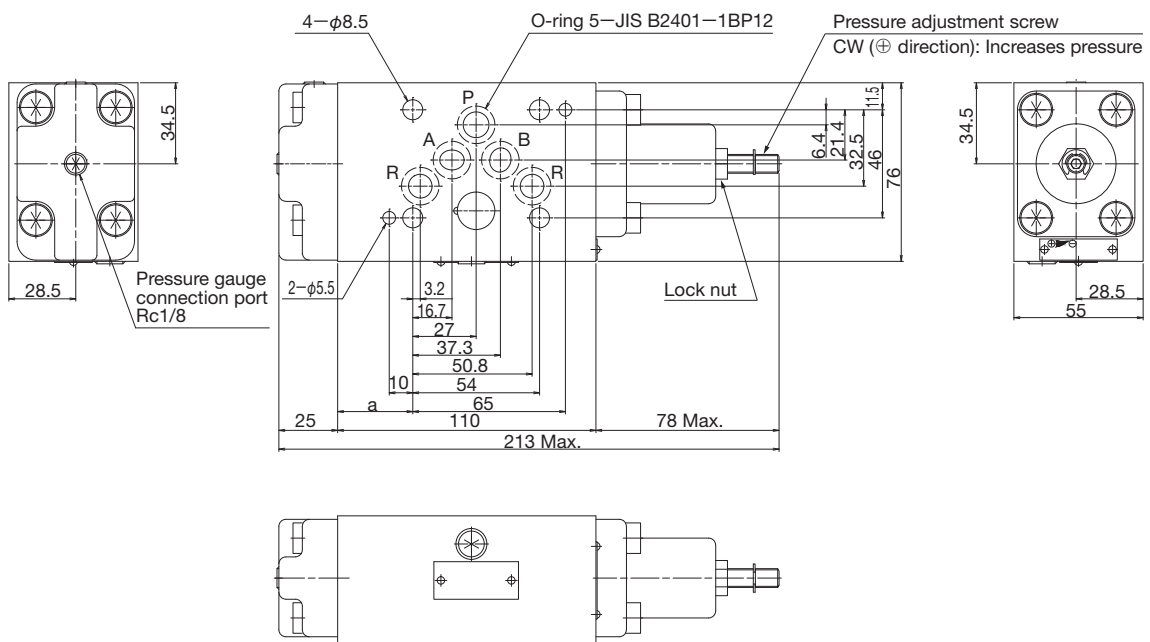
Mass: 1.4kg

HB3H-B-D\* (E) K-025B



Mass: 1.4kg

HB3H-\*D\* (E) K-03



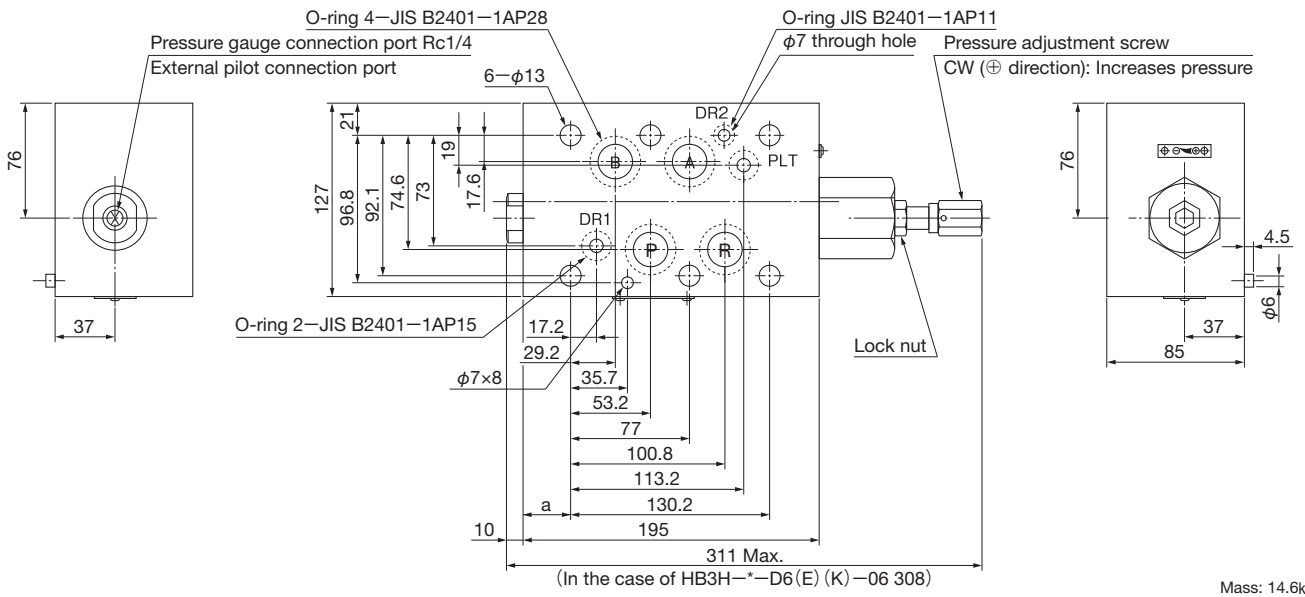
Mass: 3.4kg

Unit: mm

Control port	A	B
a	32	24

■ Outside dimensions

HB3H-\*—D\*(E)K-06



Mass: 14.6kg

Unit: mm

Control port	A port	B port
a	31	43



HY-TEGRA SYSTEM